



PRESS RELEASE

Tuesday, 26 November 2019

ASL Group starts the construction of a new hangar at Antwerp International Airport (Belgium)



Ground preparation work have started in preparation for the construction of the new 2400 m² hangar

Belgian private jet company ASL Group has started the construction of a 2400 m² hangar on the international airport of Antwerp-Deurne in Belgium. This second hangar - expected to be completed by May/June 2020 - will allow the company to accommodate its fleet growth as well as to offer hangar space for FBO/Business Aviation customers.

Ground preparation work for the construction of ASL's second and new hangar started during the second half of November 2019. The company expects the hangar to be completed and fully operational by May/June 2020. ASL's first hangar and offices opened back in 2006. Since then, the company has significantly grown, and so has its fleet (jointly with its Dutch subsidiary JetNetherlands) which is now reaching 40 aircraft spread over the Group's various bases in Belgium and in the Netherlands.



Earlier this year, ASL launched a new Business Aviation Handling/FBO activity in Antwerp as well as in Maastricht and in Groningen (the Netherlands). The construction of the new hangar will also support this activity by offering hangar space to external operators and FBO customers.

For this new hangar, ASL renewed its partnership with the industrial construction company ALMOBE; which already built the company's first hangar and adjacent offices back in 2006.

The new hangar will be located right across ASL's current hangar and will feature a 40 m Wide x 8.2 m High door, with free spans of 40 m in both directions.

Philippe Bodson, CEO ASL Group:

We are very proud to start the construction of our second hangar here at the international airport of Antwerp!

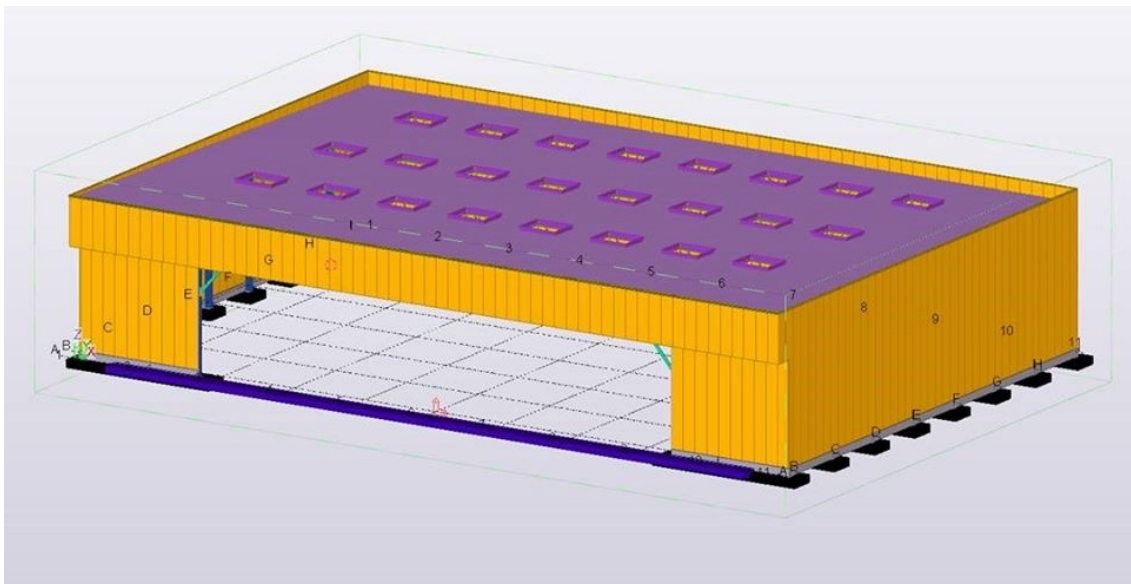
This marks a very important milestone in the development of our company and of our activities, but also in our strong partnership with the airport management team and authorities. We opened our first hangar and our offices here back in 2006 and it has been ASL's most important operational base since then. With the growth of our fleet and with the expansion of our services, this new hangar marks even more the importance of Antwerp for the future of our company!

Marcel Buelens, CEO Flanders International Airport Antwerp:

The construction of this second hangar of ASL Group at the airport of Antwerp strengthens the position of our city airport as a 'business airport'. Herewith ASL continues to contribute a substantial part of the daily operations of this business segment. It is a matter of responding to the increasing demand in this growing segment. We are honored to make part of ASL's persistent growth.



*Left: Philippe Bodson, CEO ASL Group
Right: Marcel Buelens, CEO Flanders
International Airport Antwerp*



About ASL Group:

ASL (Air Service Liege NV) is a Belgian company, founded in 1997 by Mr Philippe Bodson, specialising in services related to business aviation, particularly in management and operation of private jets. It holds, among others, an Air Operator Certificate (AOC) issued by the Belgian aeronautical authorities in accordance with European regulations, allowing it to operate commercial and private flights with a fleet of more than 20 aircraft. In 2014, ASL merged with JetNetherlands (The Netherlands), enabling it to become one of the leading players in the business aviation sector in Europe. The ASL Group is present at most national and regional



airports in Belgium and the Netherlands and also offers handling services for business aviation at the airports of Antwerp, Maastricht, Groningen and Liege.

Press contact:

Maxime Wauters, Marketing/PR Manager – maxime.wauters@aslgroupp.eu
www.aslgroupp.eu

About Antwerp Airport:

LEM Antwerp International Airport NV is owned by the French group Egis and is part of the LOM-LEM management structure created by the Flemish government. Egis does the commercial exploitation of the airport (LEM) and the Flemish government is responsible for its basic infrastructure (LOM). Two airline companies (TUI fly & Air Antwerp) offer flights to 11 European destinations. In addition to these scheduled flights, also charter flights, private flights and training flights are offered. The airport is small-scaled, easily accessible, has short walking distances across the airport, has democratic car parking rates, a fast check in and smooth security checks. Furthermore the 'on time performance' (OTP) at the regional airport of Antwerp is outstanding.

During the year 2018 Antwerp Airport welcomed almost 300 000 (298 403) passengers and registered almost 40 000 (39 495) flight movements.

Press contact:

Vanessa Flamez, Marketing & Communication Manager –
vanessa.flamez@antwerpairport.aero
www.antwerp-airport.com

